



feeding the performance



## Mini Shaft Loader

*The ideal supplement for the Multi-3000*

*Enabling the loading of shafts from  
40 – 250 mm in length.*

*Diameter range of 5 - 65mm.*

### **Your advantages**

- » *Simple operation*
- » *Quick mounting and dismounting*
- » *Shorter loading times compared to conventional loading magazines*
- » *Machine will be controlled via the control panel of the loading magazine*
- » *Installation of the mini shaft load takes place by only one power plug*



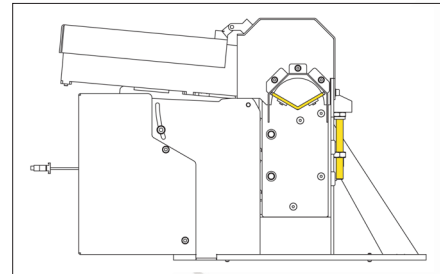
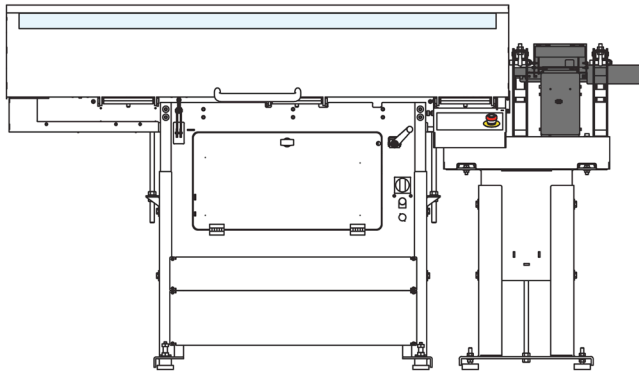
feeding the performance

[www.samsys.eu](http://www.samsys.eu)



# Mini Shaft Loader

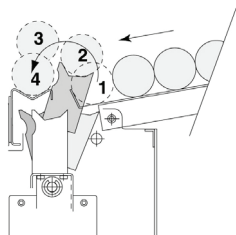
*The ideal supplement for the Multi-3000*



Mini Shaft Loader side view

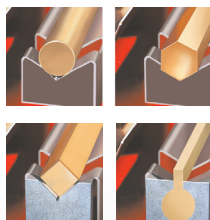
## Specification and technical data:

<b>Capacity</b>	round bars	Ø 5-65 mm
	hex bars	Ø 5-56 mm
	square bars	on request
	shaft length	40-250 mm
<b>Loading system</b>	material selection	gear motor
	material feed	servo motor of existing loading magazine
<b>Electrical connections</b>	secondary	24V, plug connection with loading magazine
	keyboard, display	control panel of the feeder
<b>Weight</b>	netto	24 kg



## No impact on the bar feeder

- » Unique loading cycle by rotary movement.
- » Accurate bar selection.
- » The selected bar is gently placed on the loading channel.



## MULTI-profile loading channel

- » From round rods and profile without changing channel.
- » Special profiles on request.

**SAMSYS** would be pleased to discuss  
the Mini Shaft Loader with you!  
We are looking forward to your call!